

```

brom_c127@109 |
brom_c127@108 |
brom_c127@107 |
brom_c127@106 |
brom_c127@105 |
brom_c127@103 |
brom_c127@102 |
brom_c127@101 |

brom_c127@100 |
brom_c127@99 |
brom_c127@97 |
brom_c127@96 |
brom_c127@94 |
brom_c127@93 |
brom_c127@92 |
brom_c127@91 |

brom_c127@90 |
brom_c127@89 |
brom_c127@88 |
brom_c127@80 |
brom_c127@78 |
brom_c127@73 |
brom_c127@72 |
brom_c127@70 |

brom_c127@68 |
brom_c127@63 |
brom_c127@62 |
brom_c127@64 |
brom_c127@65 |
brom_c127@67 |

brom_c127@130 |
brom_c127@128 |
brom_c127@123 |
brom_c127@129 |
brom_c127@131 |
brom_c127@132 |
brom_c127@111 |
brom_c127@110 |

brom_c127@11 |

brom_c127@10 |
brom_c127@144 |
brom_c127@146 |
brom_c127@145 |
brom_c127@142 |
brom_c127@140 |
brom_c127@139 |
brom_c127@122 |
brom_c127@69 |
brom_c127@71 |
brom_c127@160 |

brom_c127@121 |

brom_c127@135 |
brom_c127@153 |
brom_c127@158 |
brom_c127@159 |

```

```

ADA31 <-> BIDIR
ADA30 <-> BIDIR
ADA29 <-> BIDIR
ADA28 <-> BIDIR
ADA27 <-> BIDIR
ADA26 <-> BIDIR
ADA25 <-> BIDIR
ADA24 <-> BIDIR

ADA23 <-> BIDIR
ADA22 <-> BIDIR
ADA21 <-> BIDIR
ADA20 <-> BIDIR
ADA19 <-> BIDIR
ADA18 <-> BIDIR
ADA17 <-> BIDIR
ADA16 <-> BIDIR

ADA15 <-> BIDIR
ADA14 <-> BIDIR
ADA13 <-> BIDIR
ADA12 <-> BIDIR
ADA11 <-> BIDIR
ADA10 <-> BIDIR
ADA9 <-> BIDIR
ADA8 <-> BIDIR

AA7 <-> INPUT
AA6 <-> INPUT
AA5 <-> INPUT
AA4 <-> INPUT
AA3 <-> INPUT
AA2 <-> INPUT

SD7 <-> BIDIR
SD6 <-> BIDIR
SD5 <-> BIDIR
SD4 <-> BIDIR
SD3 <-> BIDIR
SD2 <-> BIDIR
SD1 <-> BIDIR
SD0 <-> BIDIR

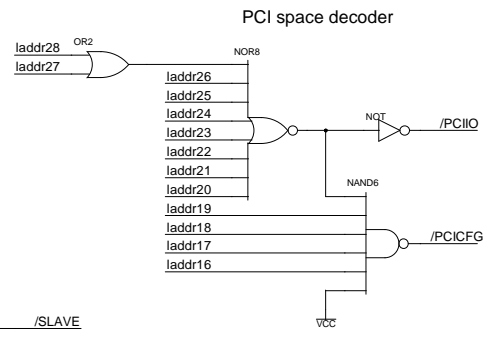
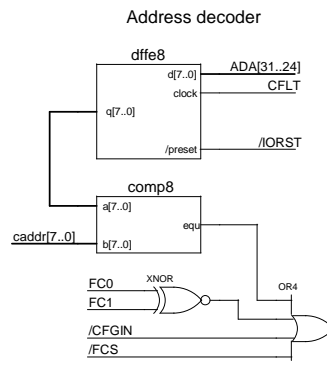
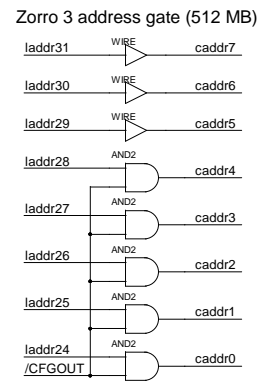
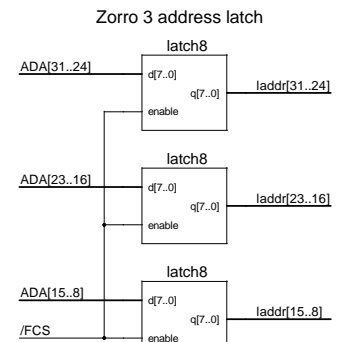
/SLAVE <-> OUTPUT

/CFGOUT <-> INPUT
DAOUT <-> INPUT
PCIENA <-> INPUT
PCIDL <-> INPUT
PCICLK <-> INPUT
DATA <-> INPUT
CFLT <-> INPUT
/IOBST <-> INPUT
FC0 <-> INPUT
FC1 <-> INPUT
/CFGIN <-> INPUT

/FCS <-> INPUT

laddr15 <-> OUTPUT
SPARE0 <-> INPUT
SPARE1 <-> INPUT
SPARE3 <-> INPUT

```



```

BIDIR <-> AD31
BIDIR <-> AD30
BIDIR <-> AD29
BIDIR <-> AD28
BIDIR <-> AD27
BIDIR <-> AD26
BIDIR <-> AD25
BIDIR <-> AD24

BIDIR <-> AD23
BIDIR <-> AD22
BIDIR <-> AD21
BIDIR <-> AD20
BIDIR <-> AD19
BIDIR <-> AD18
BIDIR <-> AD17
BIDIR <-> AD16

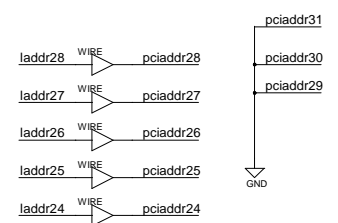
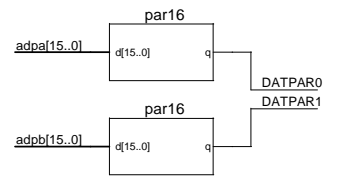
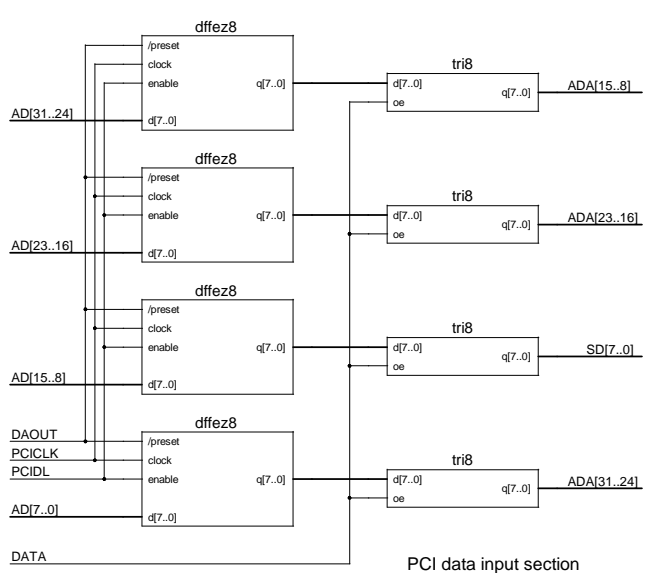
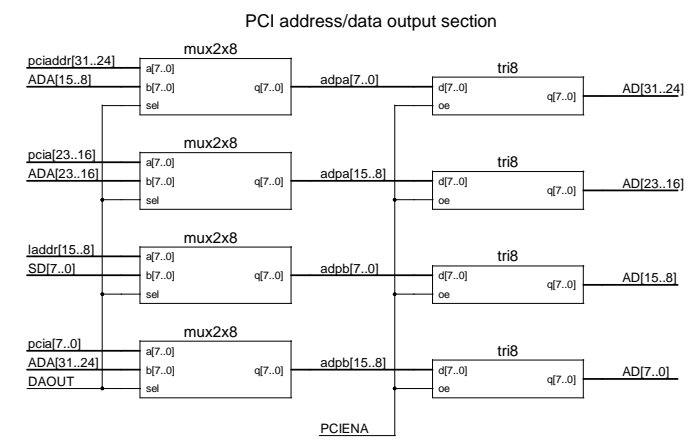
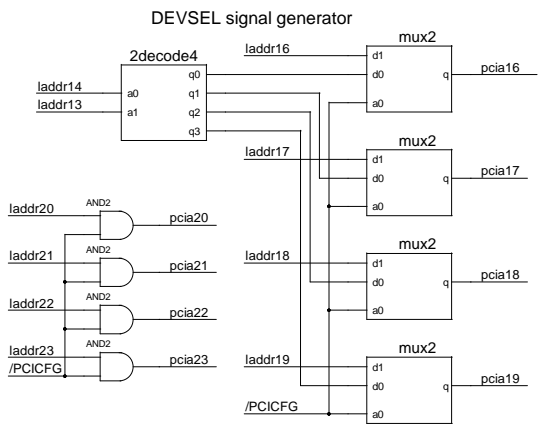
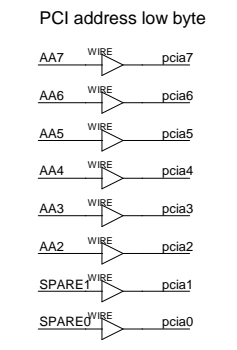
BIDIR <-> AD15
BIDIR <-> AD14
BIDIR <-> AD13
BIDIR <-> AD12
BIDIR <-> AD11
BIDIR <-> AD10
BIDIR <-> AD9
BIDIR <-> AD8

BIDIR <-> AD7
BIDIR <-> AD6
BIDIR <-> AD5
BIDIR <-> AD4
BIDIR <-> AD3
BIDIR <-> AD2
BIDIR <-> AD1
BIDIR <-> AD0

OUTPUT <-> /PCII/O
OUTPUT <-> /PCICFG

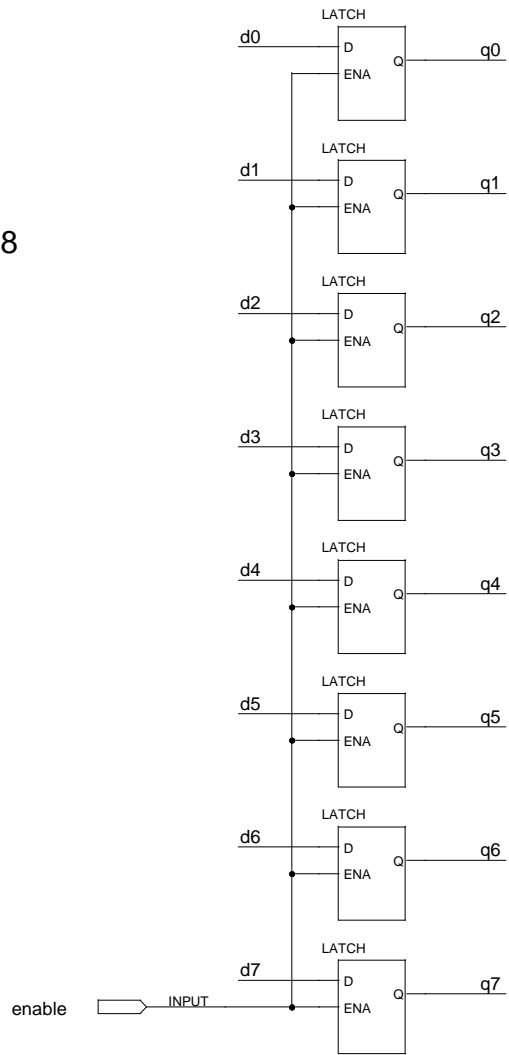
OUTPUT <-> DATPAR0
OUTPUT <-> DATPAR1

```

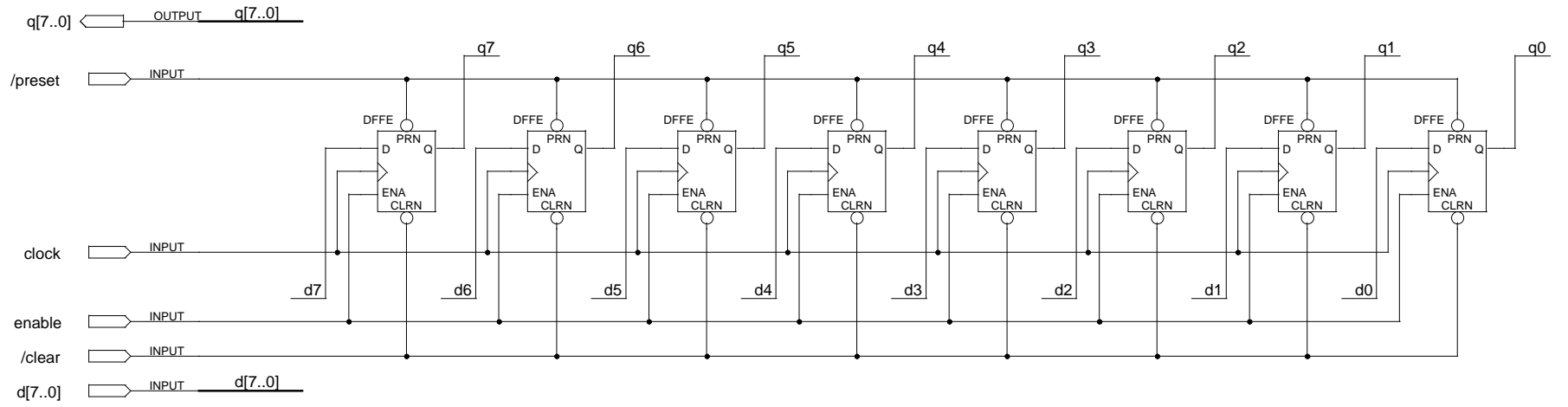


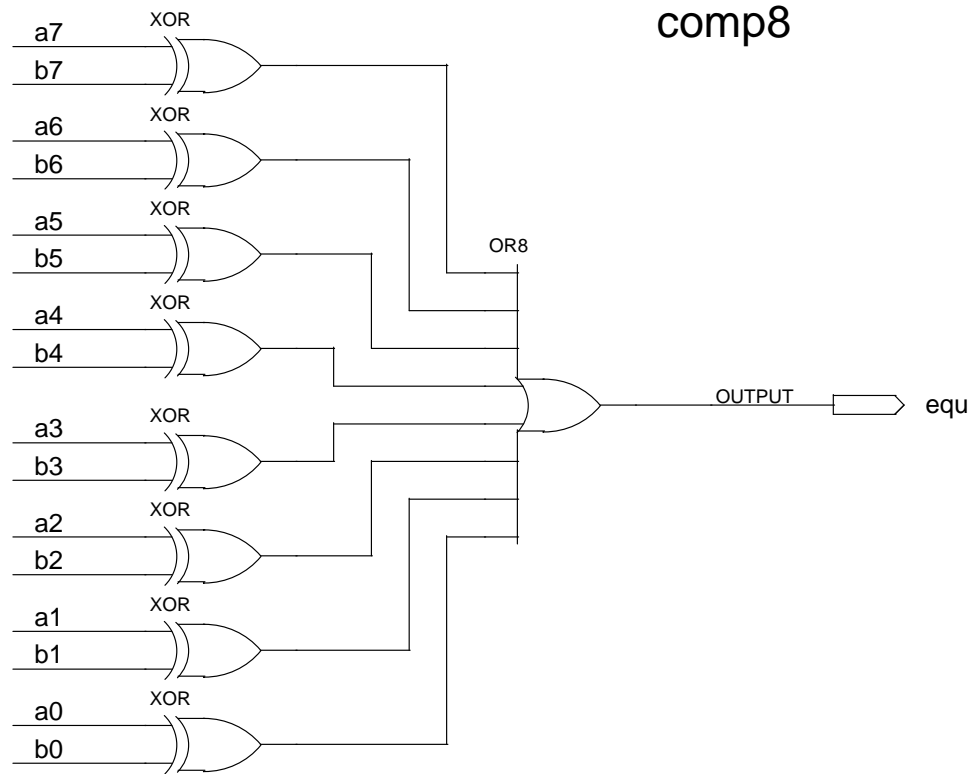
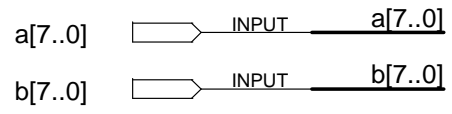
d[7..0] INPUT d[7..0] q[7..0] OUTPUT q[7..0]

latch8

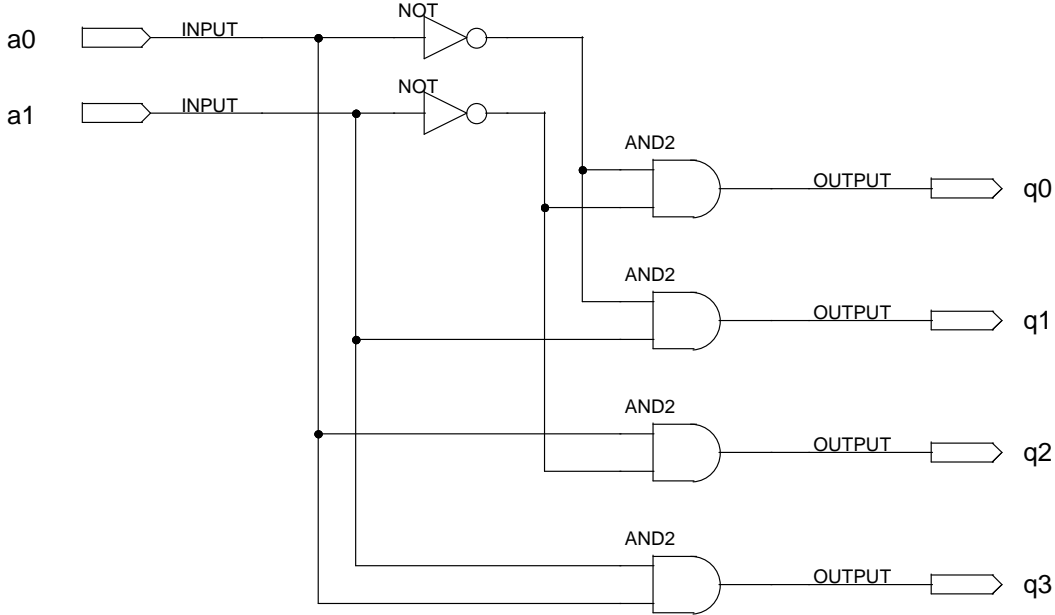


dff8

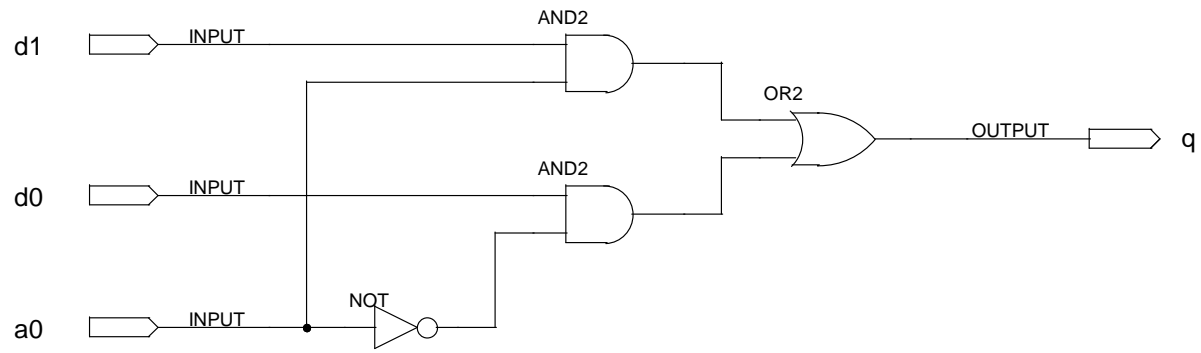


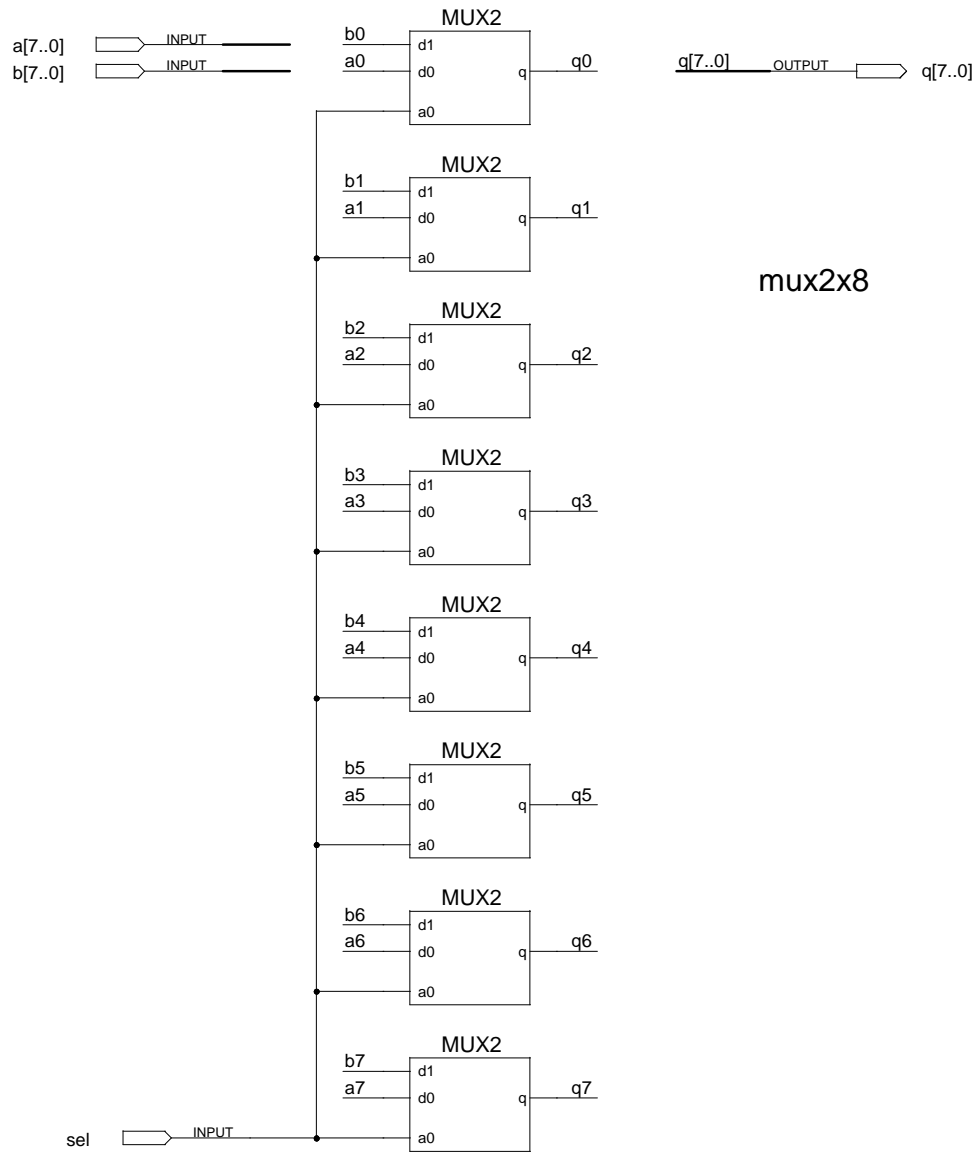


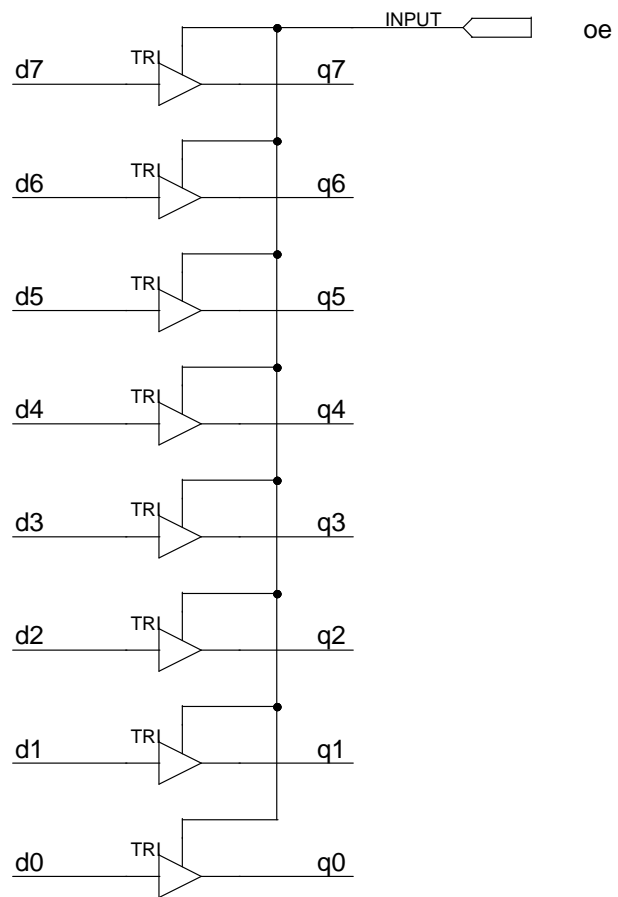
2decode4



mux2

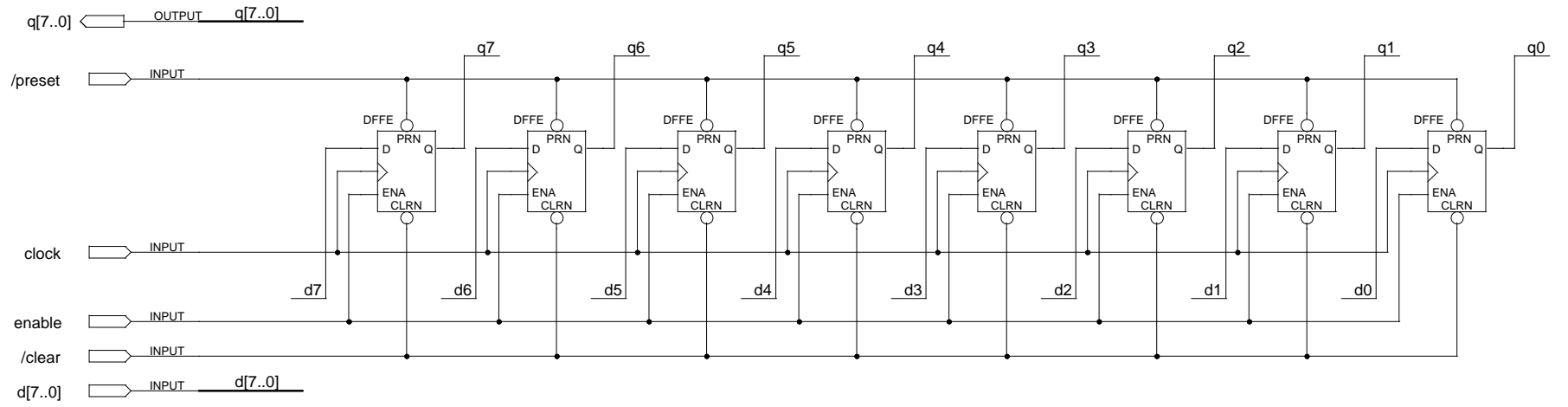


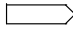




tri8

dffez8



d[15..0]  INPUT d[15..0]

par16

